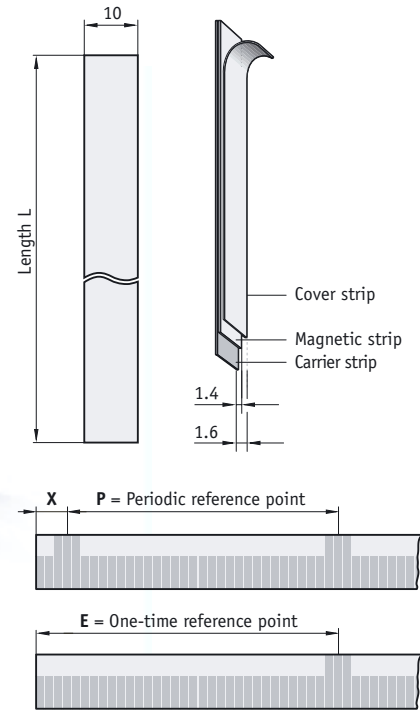


Magnetic Strip MB100

The magnetic band consists of a magnetic tape magnetized at regular distances and firmly joined with the carrier strip. For mounting a special adhesive tape is pre-mounted.



Features:

- easy mounting by simple glueing
- insensitive to humidity, liquids and oil
- insensitive to dust, shavings...
- highest accuracy

Reference points, all in m

| X | P | E |
|------|------------------------|------------------------|
| 0.02 | 0.02/ 0.06/ 0.1/ 0.14 | 0.02/ 0.08/ 0.14/ 0.2 |
| | 0.18/ 0.22/ 0.26/ 0.34 | 0.26/ 0.32/ 0.38/ 0.44 |
| | 0.42/ 0.5 | 0.5 |

other reference points on request

| Feature | Ordering data | Technical data | Additional information |
|---|---------------|--|--|
| Length | ... | length in meter, available in steps of 100 mm | ordering length = required length + 30 mm |
| Width | 10 5 | 10 mm 5 mm | standard |
| Precision class | 0.01 0.05 | 10 μm, ordering length 4000 mm 50 μm, max. ordering length 90000 mm | standard |
| Carrier material | St VA | spring steel strip stainless steel strip | standard |
| Adhesive carrier band | TM TO | with without | standard |
| Cover strip | AM AO | with without | standard |
| Reference point | 0 E P | without one time periodic | standard only for 10 mm width only for 10 mm width |
| Position of E reference point (ohne-time) | 0.02 | in m | standard, see drawing |
| or | | | |
| Position of P reference point (periodic) | 0.02 | in m | standard, see drawing |
| Temperature coefficient | | $(11 \pm 1) \times 10^{-6} / K$ | |
| Temperature ranges | | working temperature: -20 ... +70 °C | storage temperature: -40 ... +70 °C |
| Type of protection | | IP67 according to DIN VDE 0470 | |
| Mounting type | | glued joint | pre-mounted special adhesive tape |

Your order:

MB100 - - - - - - - - -